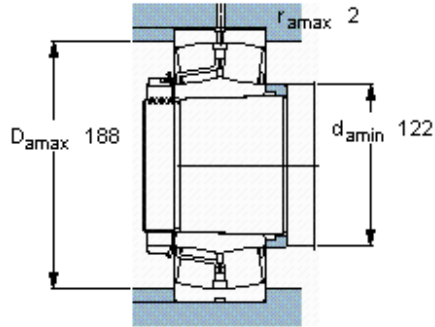
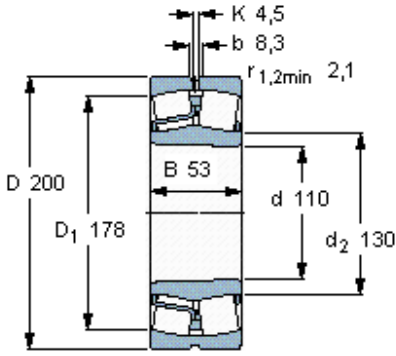


Spherical roller bearings, cylindrical and tapered bore

Principal dimensions			Basic load ratings		Speed ratings		Designation
d	D	B	dynamic C	static C0	Reference speed	Limiting speed	
mm			kN		r/min		* SKF Explorer bearing
110	200	53	572	640	3000	4000	- 22222 EK *



Tapered bore, taper
1: 12

Calculation factors
 e 0,25
 Y_1 2,7
 Y_2 4
 Y_0 2,5